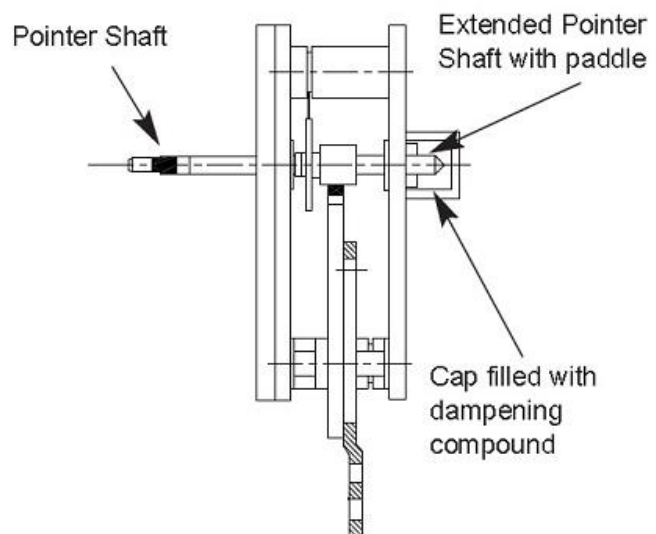


STAINLESS STEEL PRESSURE GAUGE - SPQ-ZR & SP-ZR SERIES

TOZEN SPQ-ZR & SP-ZR series Bourdon-Tube gauges are dry gauges that come with a Stabilized dampened movement that eliminates pointer flutter caused by vibration and pulsation. This makes pressure reading much easier. Gone are the worries of leaking fill fluid and possible compatibility issues with the process media. Gauges can be serviced without the hassle of draining and then refilling the case with fluid.



SPECIFICATION

Nominal Diameter	2½" (65mm), 4" (100mm) & 6" (150mm)
Range	Single/Dual scale, various maximum up to 1,000psi
Dial	White aluminium with black & red markings
Case	Stainless Steel 304
Lens	Polycarbonate (SPQ-ZR) or Safety Glass (SP-ZR)
Pointer	Anodized black Aluminium
Socket	SUS304 (SPQ-ZR) / SUS316 (SP-ZR)
Connection	½" Stainless Steel socket, BSPT Bottom Entry
Movement	SS304 with StabilizR dampened movement (Silicone in sealed chamber)
Operating Pressure	75% of full scale value
Operating Temperature	-40°C to 93°C
Accuracy	±1.5% (SPQ-ZR) & ±1% (SP-ZR) of full scale value
Protection	IP 65

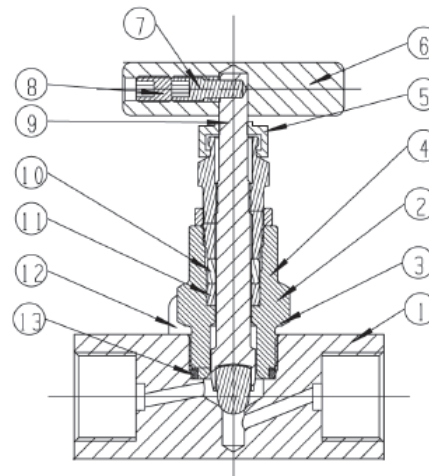
APPLICATIONS

Ideal for pumps, compressors, hydraulic presses, machinery and motors that operate in harsh environments.

OPTION ACCESSORY

- Factory calibration certificate available upon request.
- One Way Needle Valve, Straight Body, Hard Seated are available upon request.

Detail:



Description	Component Number	Material
Body	1	Carbon Steel / SUS316
Bonnet	2	Carbon Steel / SUS316
Adapter Locknut	3	Carbon Steel / SUS304
Adapter	4	SUS316
Dustcap	5	Nylon
Handle	6	Carbon Steel / SUS304
Screw	7	SUS304
Fastening Screw	8	SUS304
Needle / Needle Tip	9	SUS316
Gland Washer	10	Carbon Steel / SUS304
Gland Packing	11	Teflon / Graphite
Dwell Pin	12	Carbon Steel / SUS304
Gland Packing	13	Teflon / Graphite
Available sizes & Connection		1/4", 3/8", 1/2", 3/4" & 1" - FxF, MxM, MxF & FxM

* Specifications are subject to change without prior notice.